

Baltrade

R. Czesnowski, B. Czesnowska sp.j.

Gen. J. Hallera 132
80-416 Gdansk, Poland

VAT EU: PL5840202116
WEEE: E0006872WZBW

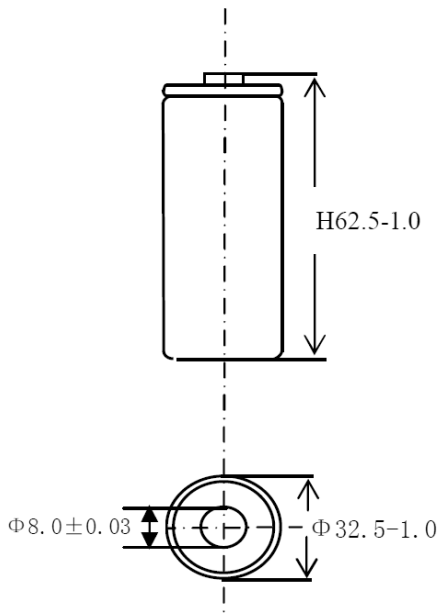
Tel. +48 58 556-43-44
fax +48 58 552-20-20

www.baltrade.eu
ehandel@baltrade.pl

everActive®



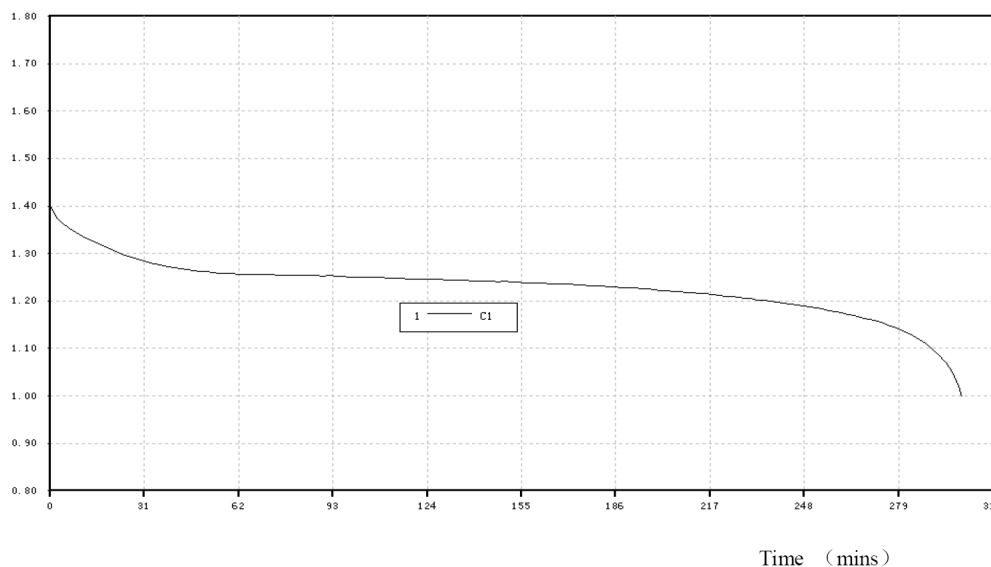
Ni-MH "Ready to Use" Rechargeable Battery R20 D 10000 mAh



| | |
|----------------------------|---|
| Designation IEC: | HRL20 |
| Nominal voltage: | 1.2V |
| Designed capacity: | 10000 mAh |
| Typical capacity: | 9000 mAh (IEC 61951-2, 7.3.2) |
| Cycle life: | >500 according to IEC standard |
| Standard charge: | 900 mA / 16 h |
| Internal impedance: | $\leq 15 \text{ m}\Omega$ (fully charged) |
| Weight: | 151 g |
| Dimensions: | 62.5 x 32.5 mm |
| Temperature ranges: | long-term storage: -20..35°C application/discharge: -20..50°C charge: 0..45°C |

Discharge characteristics (load 0.2C – 1900 mA):

Voltage (V)



everActive®

"everActive" is a registered trademark of Baltrade R. Czesnowski, B. Czesnowska sp.j. company.

Place, date of issue: Gdansk, 02.02.2015