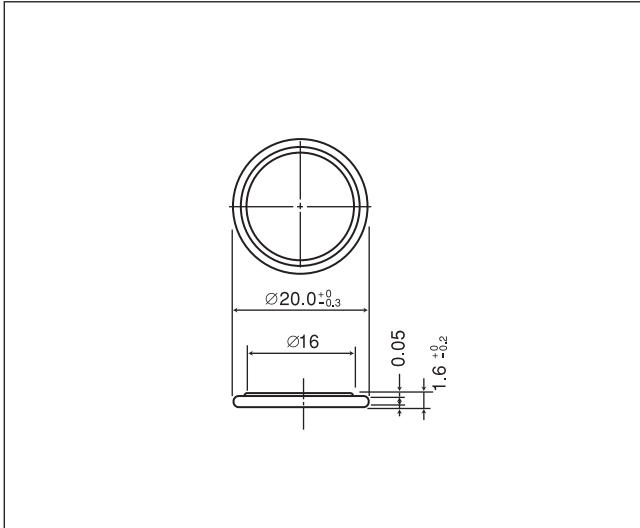


## CR2016

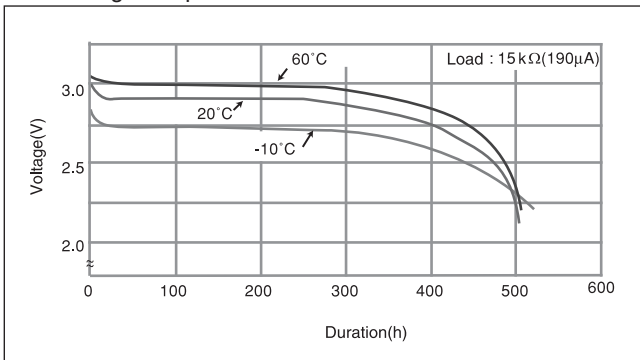
### ■ Dimensions(mm)



### ■ Specification

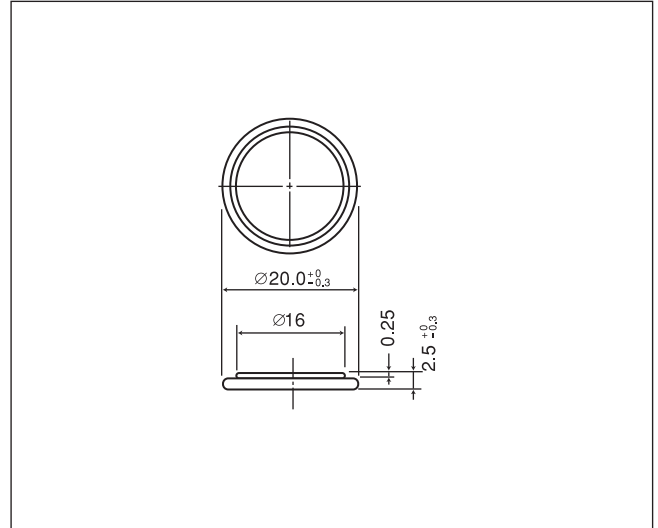
<b>Nominal voltage(V)</b>	3
<b>Nominal capacity(mAh)</b>	90
<b>Continuous drain(mA)</b>	0.1
<b>Operating temperature(°C)</b>	-30 to +60

### ■ Discharge temperature characteristics



## CR2025

### ■ Dimensions(mm)



### ■ Specification

<b>Nominal voltage(V)</b>	3
<b>Nominal capacity(mAh)</b>	165
<b>Continuous drain(mA)</b>	0.2
<b>Operating temperature(°C)</b>	-30 to +60

### ■ Discharge temperature characteristics

