

Baltrade

R. Czesnowski, B. Czesnowska sp.j.

Gen. J. Hallera 132
80-416 Gdansk, Poland

VAT EU: PL5840202116

WEEE: E0006872WZBW

Tel. +48 58 556-43-44
fax +48 58 552-20-20

www.baltrade.eu

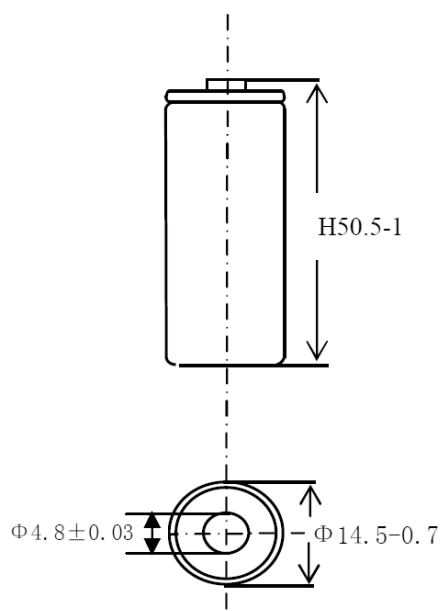
ehandel@baltrade.pl

everActive®



5 902020 152377 2

Industrial Alkaline High Performance Battery LR6 AA



Designation IEC: LR6
Nominal voltage: 1.5V
Designed capacity: 2900 mAh
(discharge with high resistance)
Shelf life: 10 years
Weight: 22 g
Dimensions (max): 50.5 x 14.5 mm
Temperature ranges: long-term storage: -10..35°C
application/discharge: -20..50°C
Approved standards: GB/T 8897.2-2013, GB 8897.5-2013, GB8897.5:IEC 60086-1:2011, IEC 60086-2:2011, IEC 60086-5:2011

Typical service output (new battery, at 20°C):

Load	Conditions	End Voltage	Time
43Ω	4 h/d	0.9V	90 h
10Ω	24 h/d	0.8V	19 h
3.9Ω	24 h/d	0.8V	6.5h

everActive®

“everActive” is a registered trademark of Baltrade R. Czesnowski, B. Czesnowska sp.j. company.

Place, date of issue: Gdansk, 10.08.2015