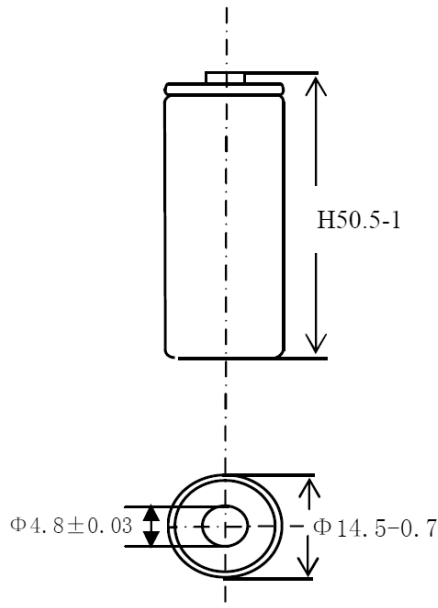




Ni-MH "Ready to Use" Rechargeable Battery R6 AA 2000 mAh



Designation IEC:	HRL6
Nominal voltage:	1.2V
Designed capacity:	2000 mAh
Typical capacity:	1900 mAh (IEC 61951-2, 7.3.2)
Cycle life:	>700 according to IEC standard
Standard charge:	190 mA / 16 h
Internal impedance:	≤35 mΩ (fully charged)
Weight:	27 g
Dimensions:	50.5 x 14.5 mm
Temperature ranges:	long-term storage: -20..35°C application/discharge: -20..50°C charge: 0..45°C

Discharge characteristics (load 0.2C – 380 mA):

Voltage (V)

