

Baltrade

R. Czesnowski, B. Czesnowska sp.j.

Gen. J. Hallera 132
80-416 Gdansk, Poland

VAT EU: PL5840202116
WEEE: E0006872WZBW

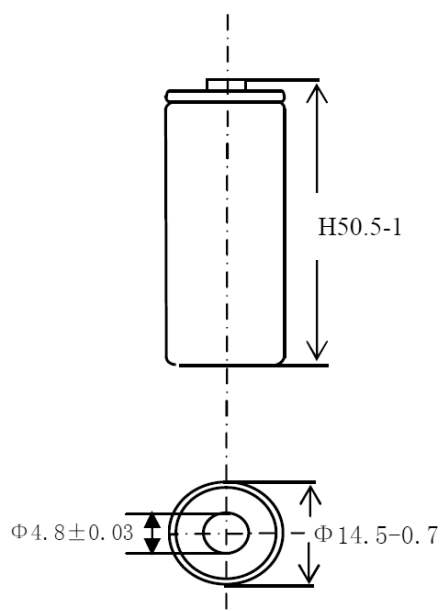
Tel. +48 58 556-43-44
fax +48 58 552-20-20

www.baltrade.eu
ehandel@baltrade.pl

everActive®



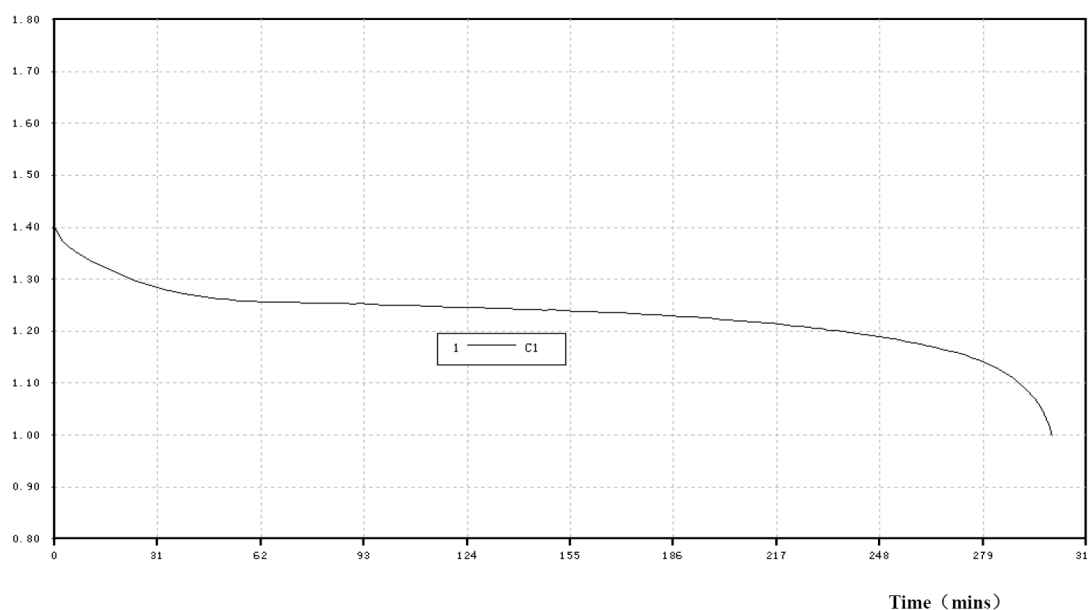
Ni-MH "Ready to Use" Rechargeable Battery R6 AA 2600 mAh



Designation IEC:	HRL6
Nominal voltage:	1.2V
Designed capacity:	2600 mAh
Typical capacity:	2500 mAh (IEC 61951-2, 7.3.2)
Cycle life:	>500 according to IEC standard
Standard charge:	250 mA / 16 h
Internal impedance:	$\leq 30 \text{ m}\Omega$ (fully charged)
Weight:	31 g
Dimensions:	50.5 x 14.5 mm
Temperature ranges:	long-term storage: -20..35°C application/discharge: -20..50°C charge: 0..45°C

Discharge characteristics (load 0.2C – 500 mA):

Voltage (V)



everActive®

"everActive" is a registered trademark of Baltrade R. Czesnowski, B. Czesnowska sp.j. company.

Place, date of issue: Gdansk, 02.02.2015